

DK-203 - Male connector

Spare Part Number: DK-203

Net Weight: 0.03kg

Net Dimensions: 0.00cm x 0.00cm x 0.00cm



Description

DK-203 - Male connector

Tube to unf - bspp or metric

Stud Fitting, Male BSPP and Metric Thread

3601 10 13

Specifications

maximum working pressure

30 bar

3 MPa

435 psi

working temperature

-25 to 150 °C

-13 to 302 °F

248 to 423 °K

vacuum capability

755 mm Hg

body

FDA CHEMICAL NICKEL PLATED

BRASS

'O'-rings

FKM

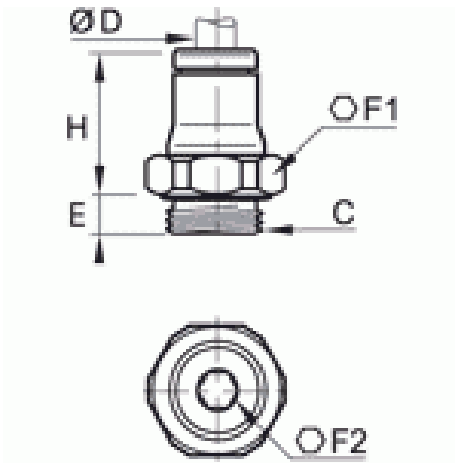
collar

FDA CHEMICAL NICKEL PLATED
BRASS

sealing washer

FDA CHEMICAL NICKEL PLATED
BRASS

	ØD (MM)	C	E (mm)	F1 (mm)	F2 (mm)
601 10 13	10	G1/4	6.5	15	6



Catalogues/Families

Suitable for the following equipment models:

CLASSIC 3 P

CLASSIC 4 P

Spare Part Type

Hydraulic Component

Pneumatic Component

Spare Part Group

Others

Stock Type

Standard Stock

Product Gallery

